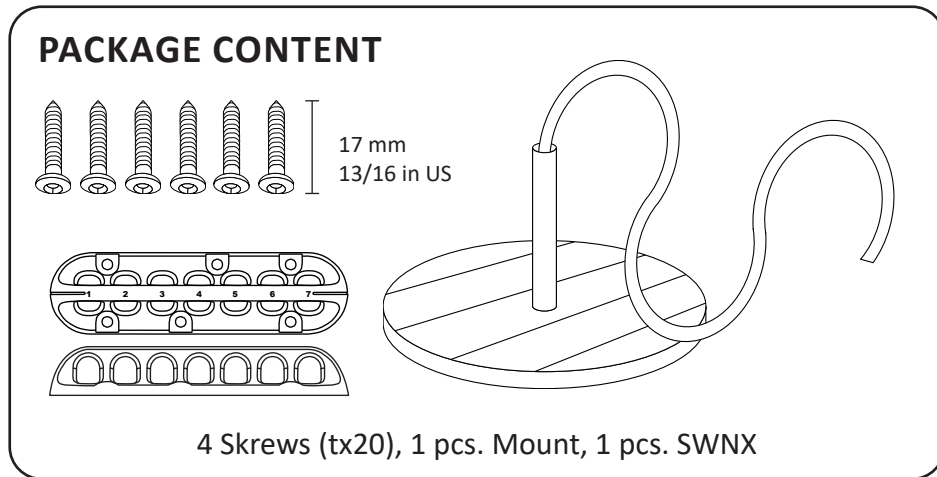
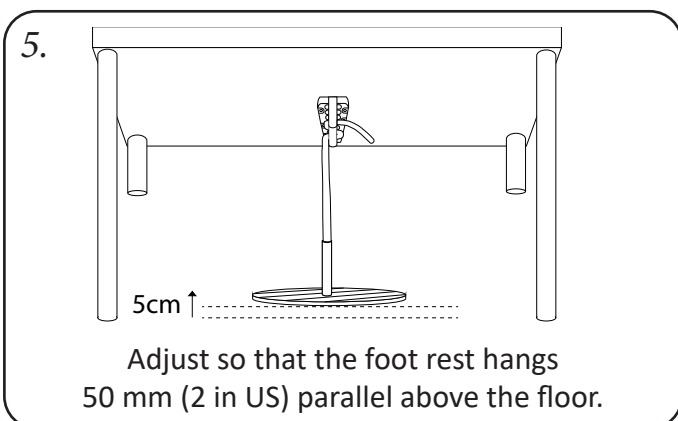
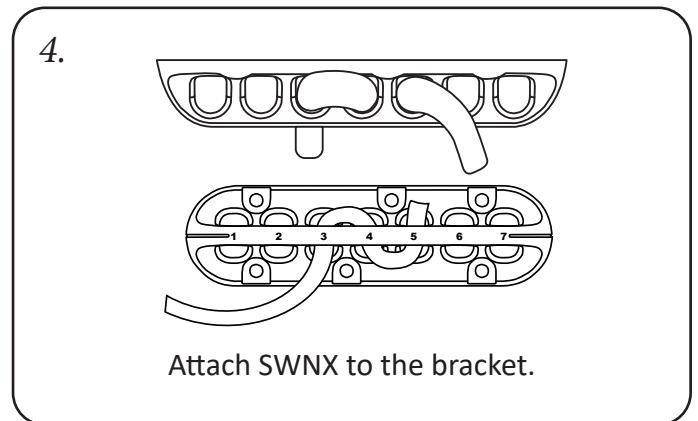
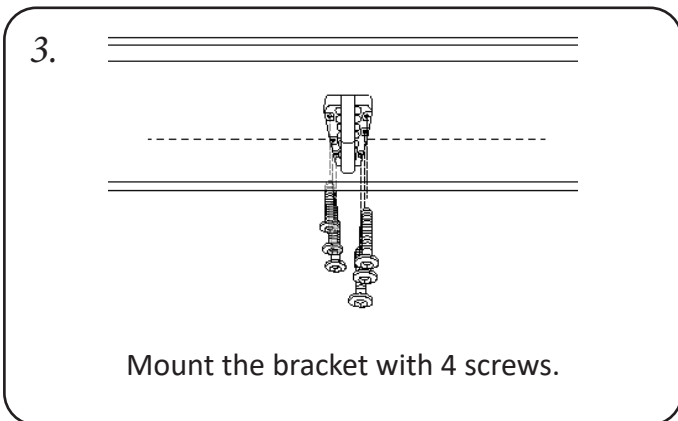
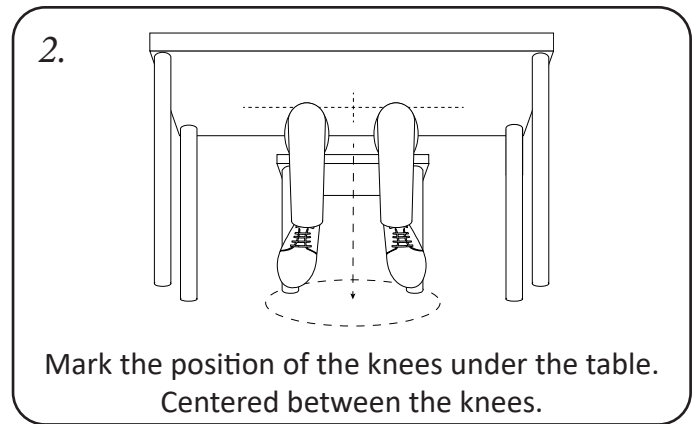
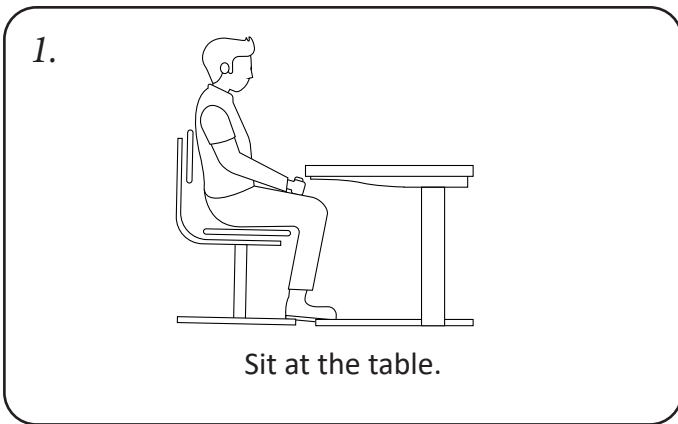


# SWNX | INSTRUCTION MANUAL



Mounting requires additional tools: 1 pencil + screwdriver.  
Attention: Table thickness should be over 20 mm (13/16 in US)



Patent by Resense  
CVR: DK38500392  
[www.swnx.dk](http://www.swnx.dk)